

# JRR Series Heat Regenerative Air Dryer



**JRR series heat regenerative air dryer**, it is a new generation of dryer designed on the basis of adsorption dryer! The most important feature is energy saving, heat regenerative air dryer uses the heat generated when the gas is compressed to heat dry The adsorbent in the column desorbs it. When the gas is compressed, it will generate a large amount of contraction heat. The heat regenerative dryer uses this part of energy without the need to obtain heat from the outside world.

Web: [www.jiayu-gas.com](http://www.jiayu-gas.com)

E-mail: [jy88918760@163.com](mailto:jy88918760@163.com)

Tel: +86-21-60913363 +8617821748376

Add: Room 503, Building 5, No.2388, Chenhong Road, Minhang District, Shanghai, CHINA



## main technical parameters:

Gas volume: 1-1000Nm<sup>3</sup>/min

Pressure: 0.2-6.0Mpa

Inlet temperature: 110° C-150° C

Regeneration gas consumption rate: ≤ 1%

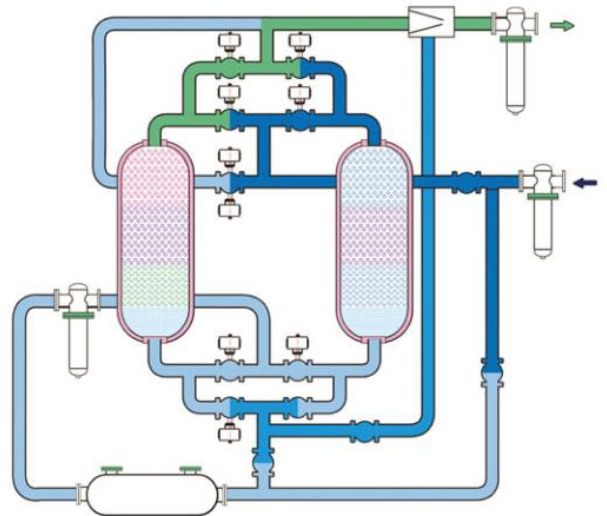
Dew point: -50° C~-70° C

Pressure drop: 0.03Mpa

Working environment: indoor

## work process:

When the JRR series waste heat regenerative air dryer works, the high temperature compressed air first enters the regeneration tower of the drying unit, so that the temperature of the adsorbent is desorbed, and then it is reduced to room temperature through the post-cooler of the drying unit, and finally enters the adsorption tower for drying. When the sorbent of the regeneration tower rises to a certain temperature, the heating is stopped, and 1% of the product gas is used for cold blowing to normal temperature. Since the heat energy generated by the air compression is utilized in the regeneration process of the adsorption tower, the drying device hardly exists. Consumption of other energy, while extending the switching time to more than 300-500min, greatly reduces the operating costs of drying equipment.



Web: [www.jiayu-gas.com](http://www.jiayu-gas.com)

E-mail: [jy88918760@163.com](mailto:jy88918760@163.com)

Tel: +86-21-60913363 +8617821748376

Add: Room 503, Building 5, No.2388, Chenchang Road, Minhang District, Shanghai, CHINA

## Features

1. JRR series heat regenerative air dryer adopts the world's most advanced microcomputer controller, can achieve communication and joint control, excellent performance.
2. Select high-quality butterfly valve, switch quickly, accurate and reliable.
3. the use of gas diffusion device, uniform distribution of the air flow inside the tower, a unique filling method, long service life of the adsorbent.
4. The waste heat of the air compressor is used in the regeneration process, and the regeneration energy consumption is low.
5. overall layout is reasonable, compact structure, simple installation, easy to use and maintain.



## Application industry:

JRR series heat regenerative air dryer can be applied to: petroleum, chemical, light industry, textile, fertilizer, metallurgy, electric power, telecommunications, transportation tools pneumatic control, pneumatic components and process gases from various industry.

| Specification model | Volume (m <sup>3</sup> /min) | Size (mm)      | Take over the caliber | Cooling water circulation (m <sup>3</sup> /h) | weight (kg) |
|---------------------|------------------------------|----------------|-----------------------|---|-------------|
| JRR-80              | 85                           | 3200*2200*3150 | DN125                 | 26  | 4250        |
| JRR-100             | 110                          | 4000*2400*3250 | DN150                 | 33  | 5400        |
| JRR-130             | 140                          | 4150*2400*3350 | DN150                 | 42  | 6250        |
| JRR-150             | 160                          | 4500*2600*3350 | DN200                 | 48  | 7500        |
| JRR-180             | 190                          | 4800*2600*3750 | DN200                 | 57  | 7950        |
| JRR-200             | 210                          | 5000*2800*3900 | DN200                 | 63  | 8650        |
| JRR-230             | 240                          | 5100*2800*3900 | DN200                 | 72  | 9750        |
| JRR-250             | 260                          | 5500*3000*3950 | DN200                 | 78  | 10500       |
| JRR-280             | 290                          | 5800*3250*4150 | DN250                 | 87  | 12500       |
| JRR-300             | 310                          | 5800*3250*4150 | DN250                 | 93  | 14500       |
| JRR-350             | 360                          | 6100*3250*4250 | DN250                 | 108   | 15500       |
| JRR-400             | 410                          | 6300*3500*4450 | DN300                 | 123   | 17000       |
| JRR-450             | 460                          | 6500*3500*4500 | DN300                 | 138   | 18500       |
| JRR-500             | 510                          | 7000*3500*4600 | DN300                 | 153   | 19500       |
| JRR-550             | 560                          | 7500*3800*4800 | DN350                 | 165   | 21500       |

Web: [www.jiayu-gas.com](http://www.jiayu-gas.com)

E-mail: [jy88918760@163.com](mailto:jy88918760@163.com)

Tel: +86-21-60913363 +8617821748376

Add: Room 503, Building 5, No.2388, Chenchang Road, Minhang District, Shanghai, CHINA